



RS-PT07

Rugged Metal Mount RFID Tag

RS-PT07 Rugged Metal Mount RFID Tag

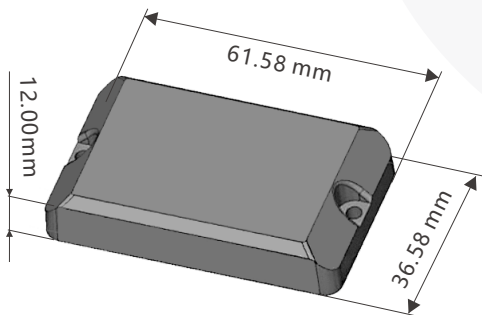
The sturdy RS-T607 are a globally compliant, passive UHF tag with long read range on or near metals and liquids. Designed for heavy industry and outdoor applications. Sturdy RS-T607 features a high impact, water proof, durable encasement. RS-PT07 offer market leading consistency and reliability in outdoor and industrial applications.



Specification

Physical Features	
Material	Engineering Plastics
Dimensions	61.58×36.58x12mm
Weight	20.5g
Working Temp	-40~ +85°C
Survive Temp	-40~+85°C
IP Rating	IP68
RFID Features	
RFID Standard	ISO/IEC 18000-6C (EPC Gen2)
Chip Type	Impinj Monza R6P
EPC Memory	128(96) bits
User Memory	32(64) bits
Read Range(2W ERP FCC)	3.2m
Other Features	
Data Storage	> 10 years
Re-write	100,000 times
Installation	3M adhesive, Screw, Magnet
Customization	Logo, barcode/QR code, number printing, encoding, design, etc Designing, etc
Application	Oil & Gas & Mining Industry equipment Heavy machinery Logistics and warehouse, etc

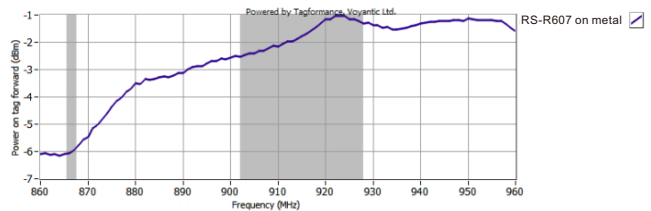
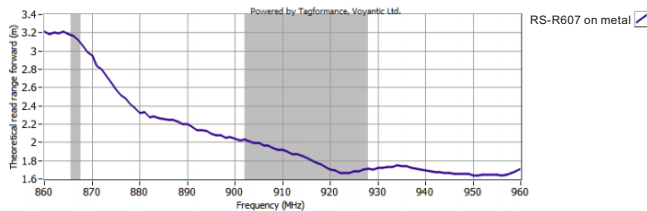
Dimensions



RS-PT07

Rugged Metal Mount RFID Tag




Read Range (on Metal)



Application



 **RuiSing Technology Company (Hong Kong) Limited**

 www.rstc-hk.com  +86-755-2692 2853  sales@rstc-hk.com

 **HONGKONG** Unit D16/F, One Capital Place, 18 Luard Road, Wan Chai

 **SHENZHEN** 9/F, Xinjing Mansion, Xinqu Blvd, Longhua District

